

Making a "NASA style" Velcro Strap for Your Speedmaster Pro (page 1)

DIAGRAM A: Velcro / leather tab end piece

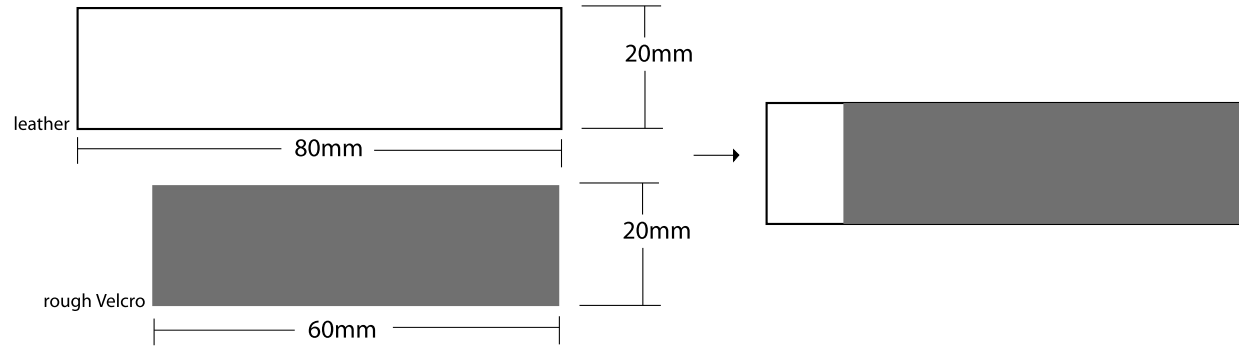


DIAGRAM B: Leather / clasp end piece

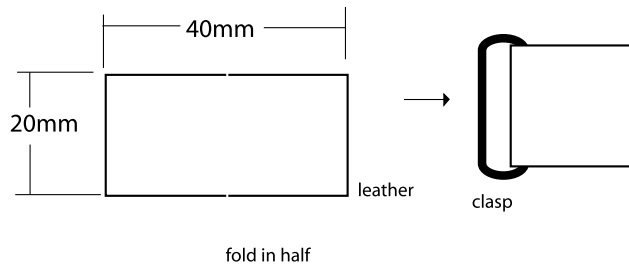


DIAGRAM C: Main Velcro piece (fuzzy Velcro)

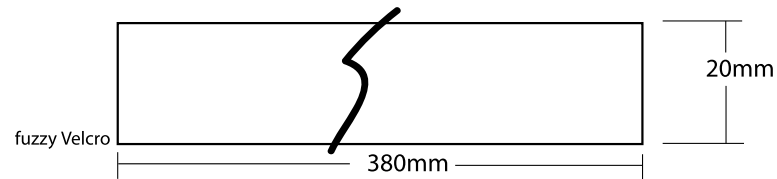
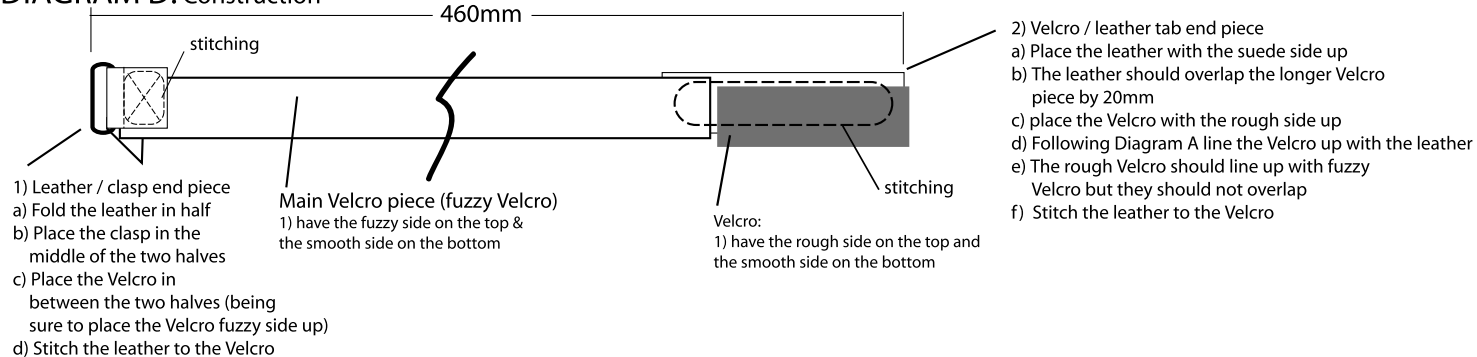


DIAGRAM D: Construction



Making a "NASA style" Velcro Strap for Your Speedmaster Pro (page 2)

DIAGRAM E



The source image of the "official" strap.

DIAGRAM F



Buzz Aldrin showing us how to wear the strap.

DIAGRAM G



The finished strap. This one is a shorter version, as I found it very hard to wear the longer one.

Note how the stitching looks rather rough and uneven. This is due to the difficulty regular sewing machines have with both leather and Velcro. Now put these two materials together and you have trouble. An industrial machine or even an old 1930's to 1950's sewing machine will probably do a better job.

Making a “NASA style” measurements Strap for Your Speedmaster Pro (page 3)

Getting Started: These directions will help you construct an approximation of the “NASA styled” measurements straps issued to astronauts for their Omega Speedmaster Professional watches. All told you should end up spending no more than five to ten dollars to make this strap, which is a far better price than the \$80 plus that Omega charges for the “official” one.

Note:

1) The measurements provided here will make a strap that is as long as the ones the astronauts wore. This is a very long strap, and is rather awkward to wear. It is even harder to look cool while wearing one without actually being in orbit, or going to the moon. You may want to shorten the main piece of Velcro to make the strap more wearable. The short version I made came out to a total of approximately 300mm.

2) The width measurements for the Velcro and leather pieces (20mm) are meant for the later model Speedmasters. If you wish to make a strap for your straight lug pre moon model or another Speedmaster variant you may need to find measurements of a different width.

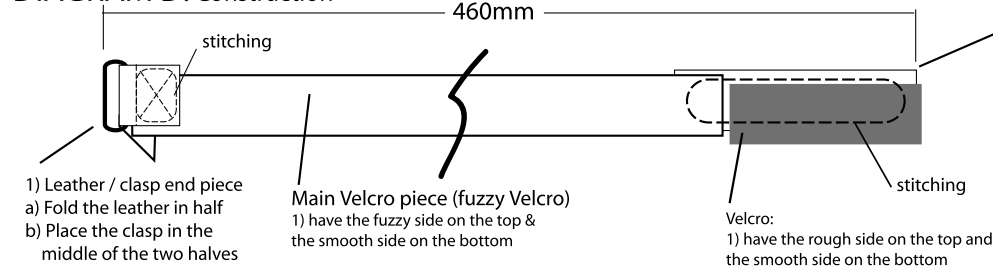
Materials Needed: (The Velcro can be purchased at any fabric store, the leather can be purchased at some fabric stores, leather suppliers, or shoe makers.

1) Scissors 2) a metric ruler 3) a white tailor's chalk 4) 1 meter of black fuzzy Velcro 20mm wide 5) 10cm of black rough Velcro 20mm wide 6) a 10cm x 10cm piece of medium weight black leather 7) 1 oval shaped ring (preferably metal - I used one from a NATO strap) 8) heavy black thread 9) a sewing machine (or lots of time to do it by hand)

Instructions: (Refer to Diagrams A, B, C, and D for construction. Refer to Diagrams E, F, and G for reference to finished straps)

- 1) Measure and mark the various leather and Velcro pieces (refer to Diagram A, B, and C for measurements)
- 2) Cut the leather and Velcro to the desired lengths
- 3) Using Diagram D layout your pieces - *Be sure to place the Velcro in the orientations indicated in the diagram. If you do not then you will not be able to close the strap.*
- 4) Following Diagram D #1 stitch the leather / clasp end piece to the long piece of fuzzy Velcro
- 5) Following Diagram D #2 stitch the Velcro / leather tab end piece to the long piece of fuzzy Velcro
- 6) install the strap on your Speedy Pro and go exploring!

DIAGRAM D: Construction



- 1) Leather / clasp end piece
- a) Fold the leather in half
 - b) Place the clasp in the middle of the two halves
 - c) Place the Velcro in between the two halves (being sure to place the Velcro fuzzy side up)
 - d) Stitch the leather to the Velcro

Main Velcro piece (fuzzy Velcro)

- 1) have the fuzzy side on the top & the smooth side on the bottom

Velcro:

- 1) have the rough side on the top and the smooth side on the bottom

- 2) Velcro / leather tab end piece
- a) Place the leather with the suede side up
 - b) The leather should overlap the longer Velcro piece by 20mm
 - c) place the Velcro with the rough side up
 - d) Following Diagram A line the Velcro up with the leather
 - e) The rough Velcro should line up with fuzzy Velcro but they should not overlap
 - f) Stitch the leather to the Velcro